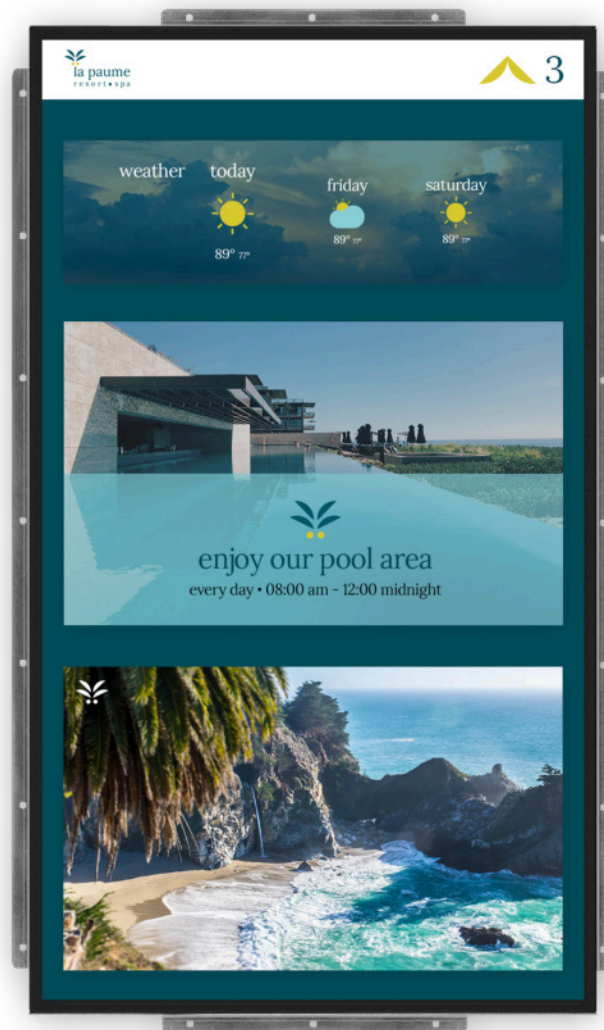


flexyPage Displays

LT-Line 46 (117 cm)

Model: 2019 24V

Mechanical Drawings



About flexyPage documentation



This document provides an overview of possibilities of what can be realised with the flexyPage system. It constitutes only a small part of the whole documentation and is undergoing continual improvement.

The documents, images, graphics and videos, as well as hard and software are protected by copyright. It is prohibited to copy or circulate this document without prior written consent. Translations do also require a written declaration of consent. The ELFIN Technology GmbH is sole contact regarding copies, translations and similar concerns.

This documentation is continuously revised and updated with the greatest of care. Nevertheless, errors cannot be excluded. We are pleased to hear your comments, helpful references and suggestions about this documentation. Please contact our sales department or support for that.

The ELFIN Technology GmbH will not accept any liability for errors or any potential damage and their consequences in conjunction with delivery or usage of this document.

Please carefully read the user manuals, product data sheets, safety instructions and mounting instructions before using!



The actual user manual as well as other documents and application cases can be found at the product website:

Introduction to the flexyPage system

flexypage.de/en/documentation

Quick starting guide

flexypage.de/en/documentation

Video tutorials

flexypage.de/en/videos-and-tutorials

flexyPage user manual

flexypage.de/en/documentation

Widget descriptions

flexypage.de/en/doc/widget-descriptions

Product data sheets

flexypage.de/en/documentation

Frequently asked questions

flexypage.de/en/faq

Sales contact

flexypage.de/en/sales

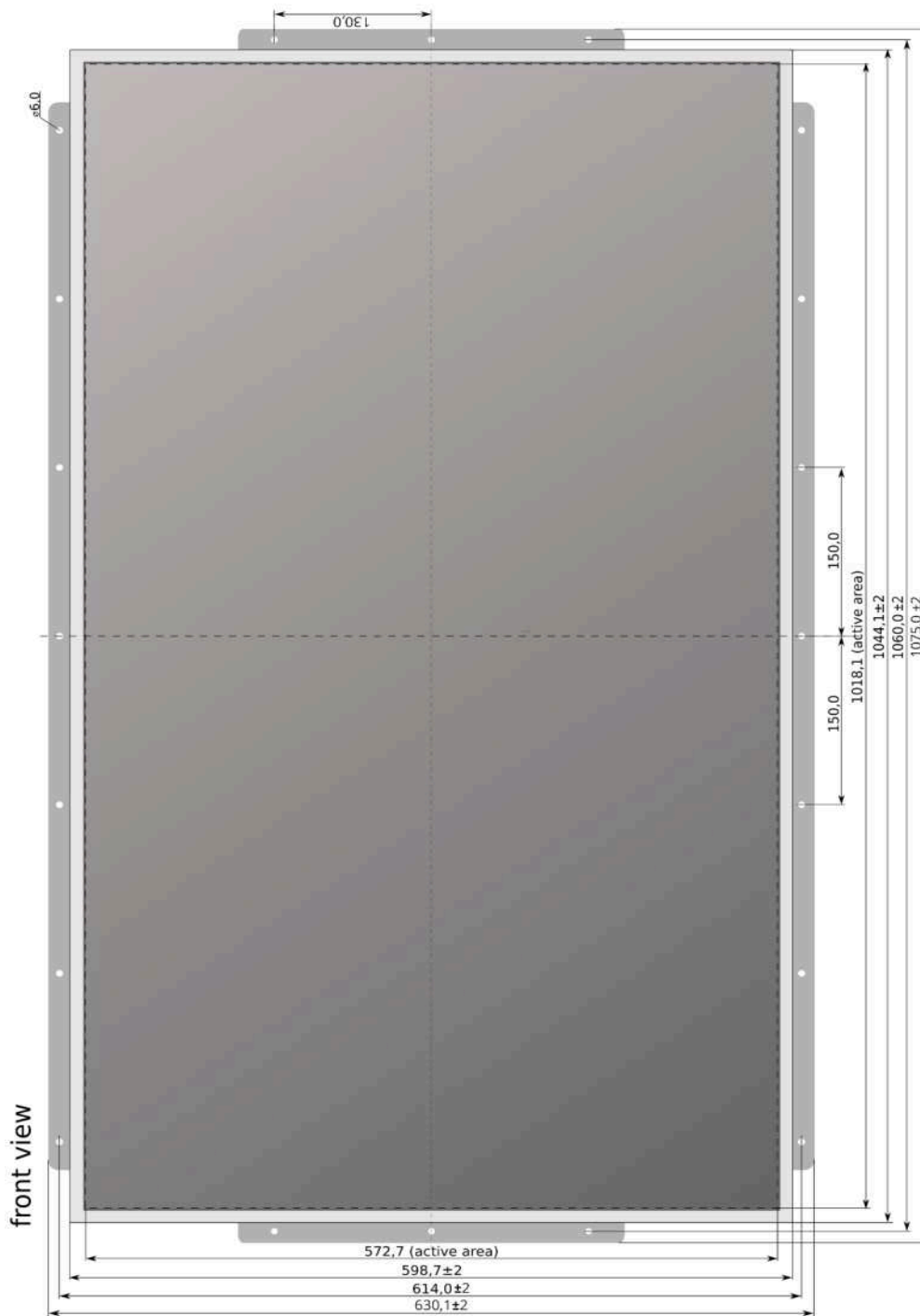
Support contact

flexypage.de/en/support

Manufacture homepage

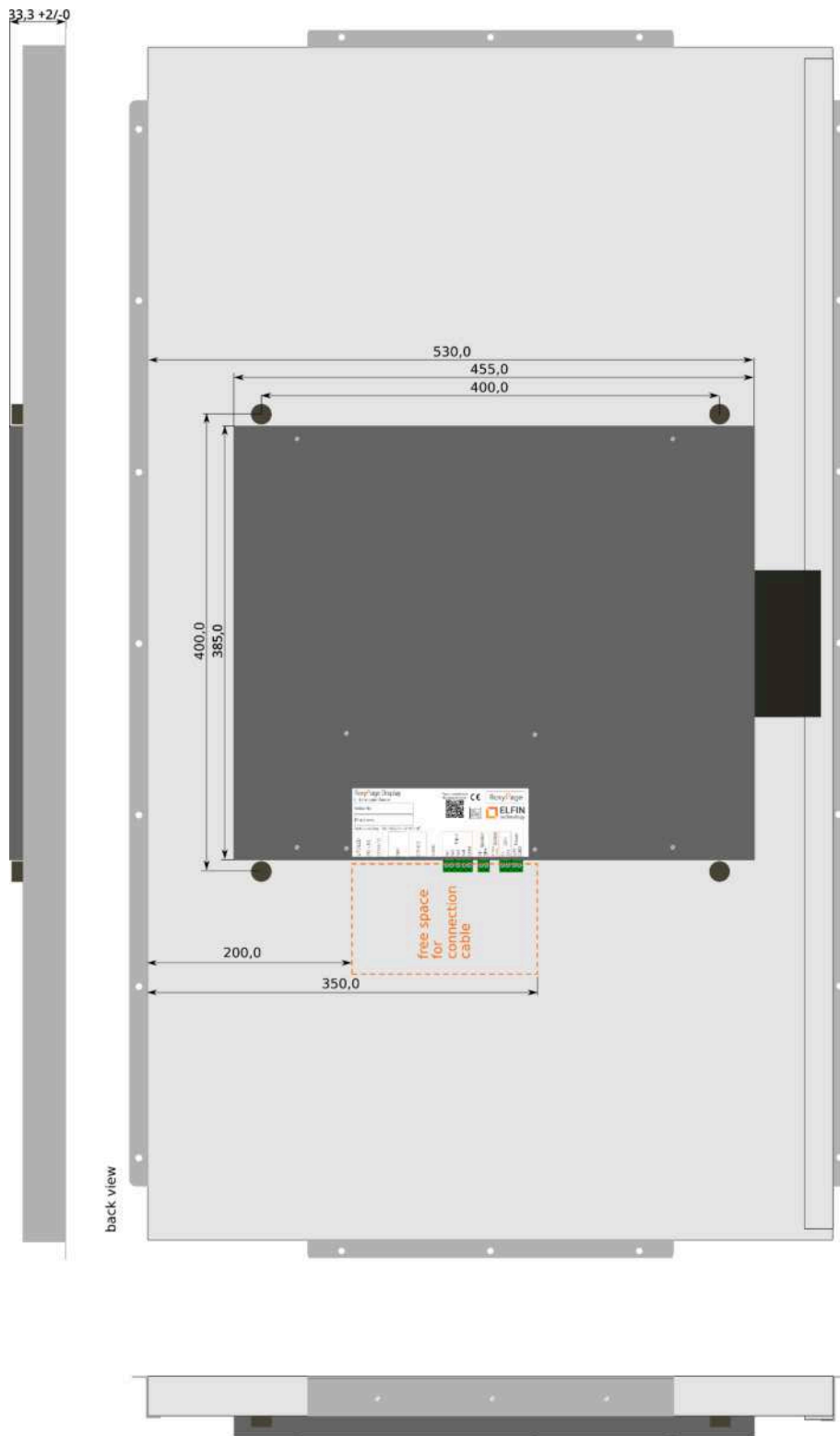
elfin.de

Dimensions flexyPage display front



Order No.: fel4B-02A-460A	Title Mechanical Drawing LT-Line 46 2019 24V open frame Front		
subject to modifications	Drawing No.: fel4B-02A-460A_MD_front_V1.0		
Tolerances	Scale:	Date: 2023-01-30	Drawn by: KMal

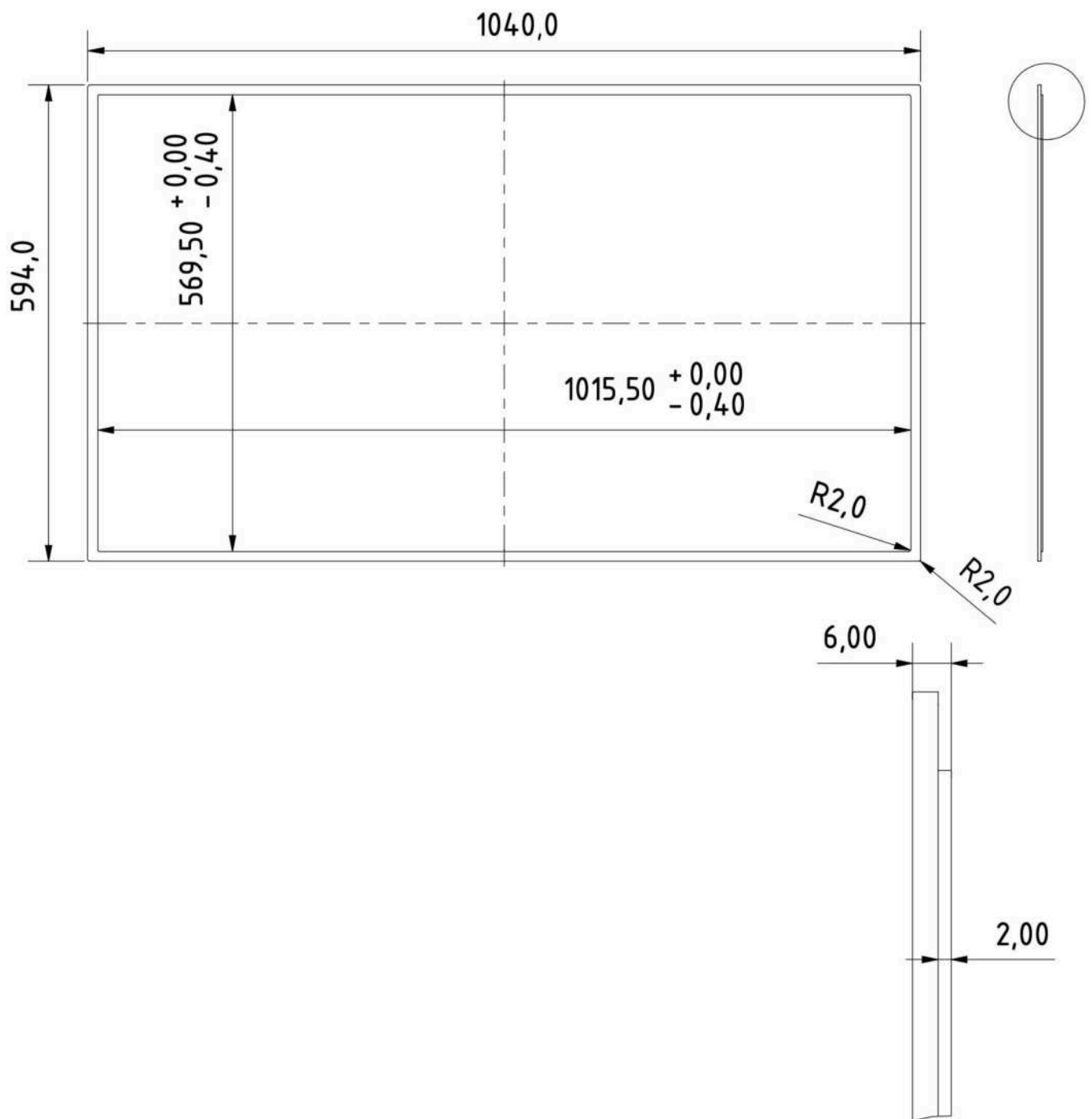
Dimensions flexyPage display back



*cutout front panel: 1016,0 x570

Order No.: fel4B-02A-460A	Title Mechanical Drawing LT-Line 46 2019 24V open frame Front		
subject to modifications	Drawing No.: fel4B-02A-460A_MD_front_V1.0		
Tolerances	Scale:	Date: 2023-01-30	Drawn by: KMal

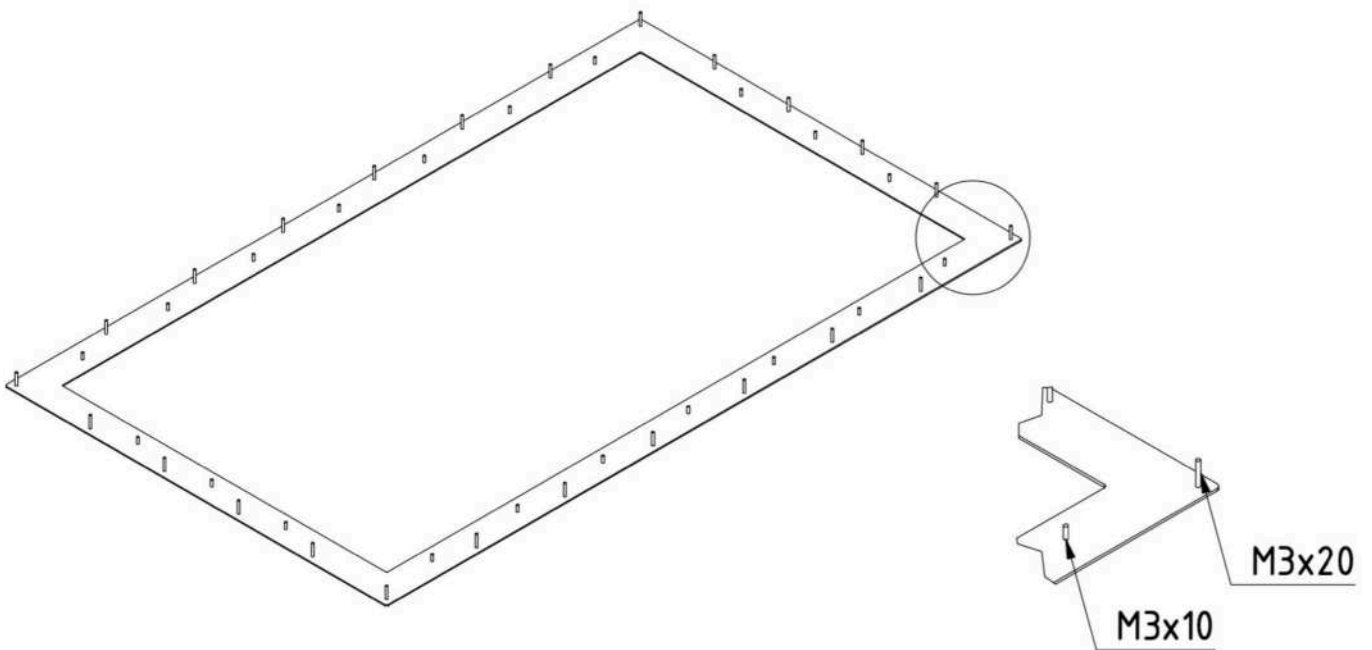
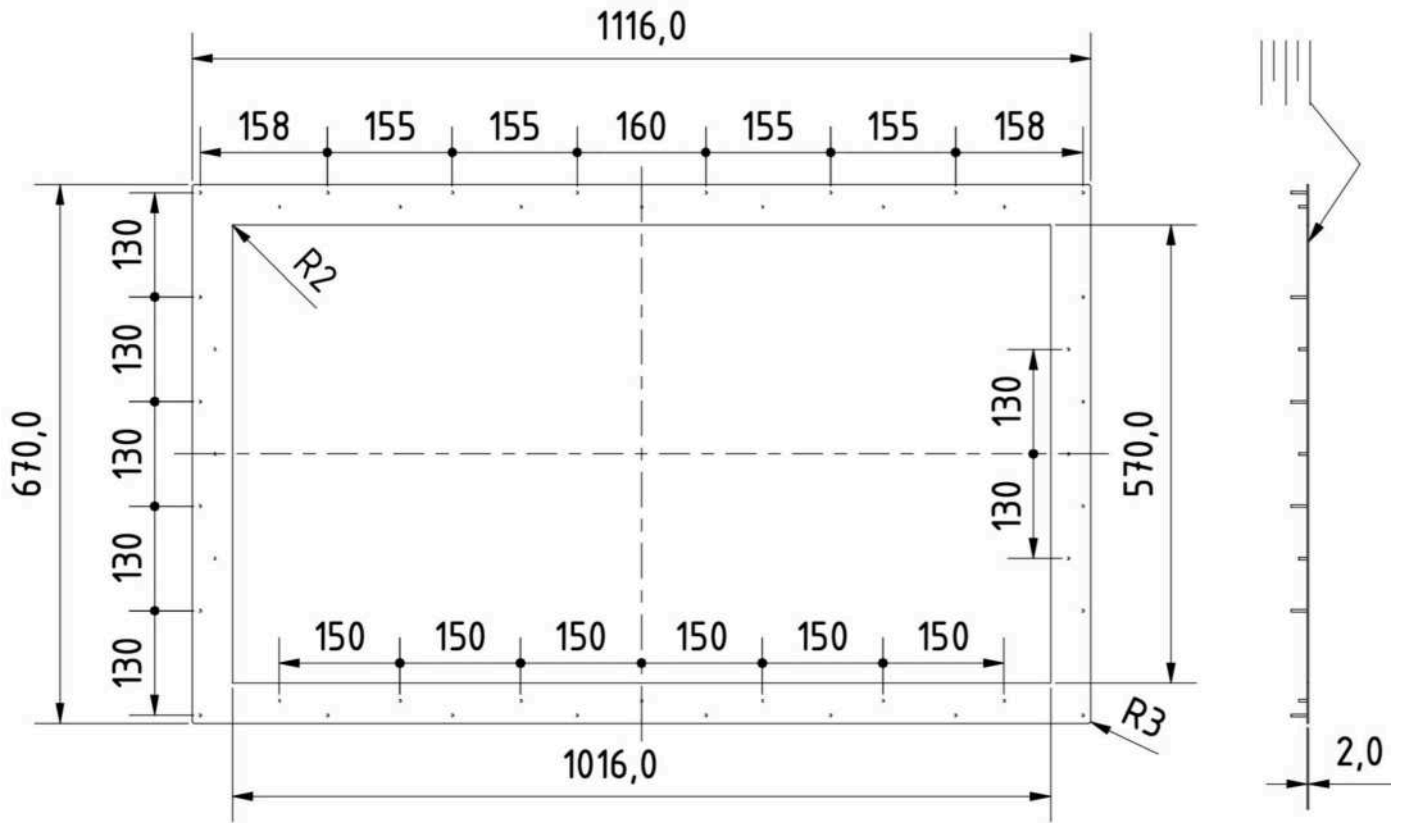
Accessory parts - VSG safety glass panel for 2 mm front panel



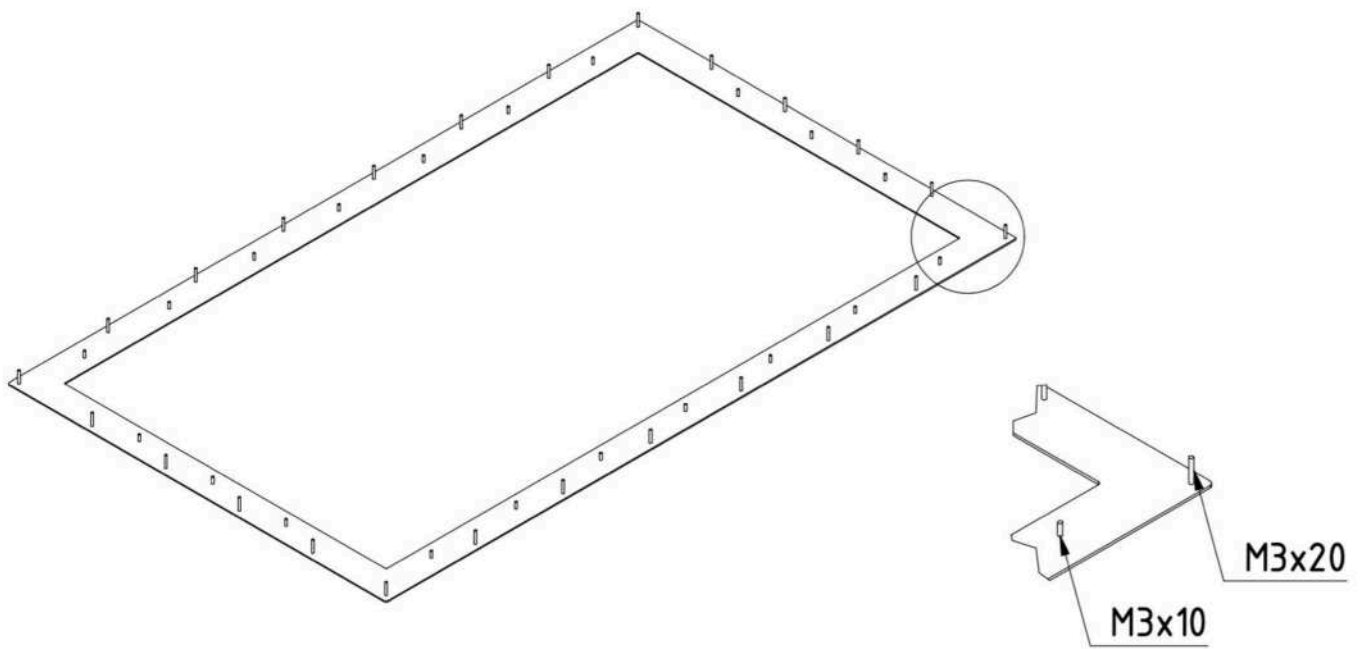
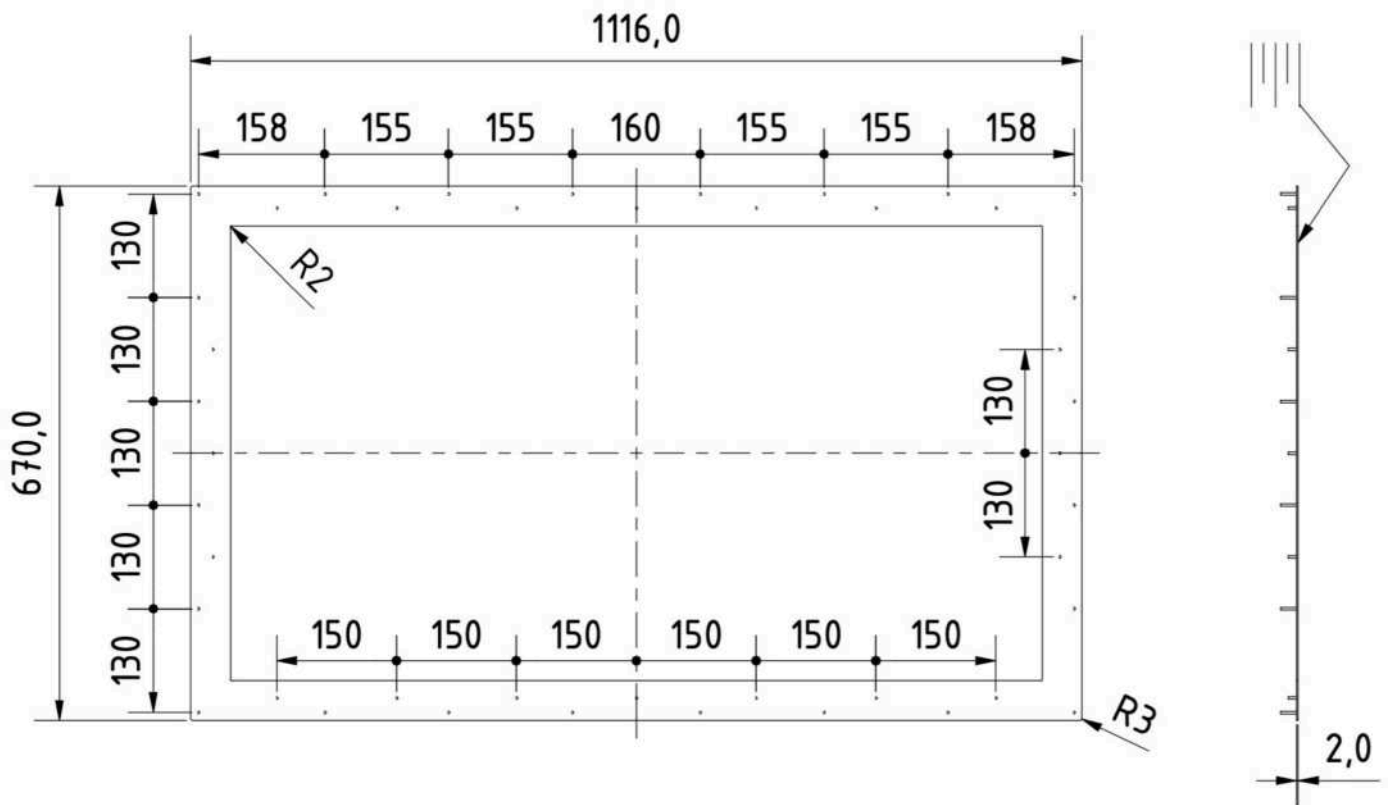
*cutout front panel: 1016,0 x 570

Accessory parts - dimensions stainless steel frame for flexyPage display

stainless steel frame with welding studs M3 x 20 mm



stainless steel frame with countersunk holes M4



Document history

Version	Release Date	Changes
0.5	2020-04-02	Pre version
0.6	2020-05-12	Back view added
0.7	2022-03-18	New address
1.0	2023-01-30	New technical drawings
1.1	2024-04-15	Add Frame + VSG panel

Your contact at ELFIN

Even an extensive documentation cannot answer every question. Do you still have questions or suggestions concerning our flexyPage system? We look forward to your requests! Please don't hesitate to contact us at:

ELFIN Technology GmbH

Im Zollhafen 22
50678 Cologne
Germany
Phone: +49 (221) 6778932-0
FAX: +49 (221) 6778932-2
service@elfin.de
www.elfin.de



Sales flexyPage

flexypage.de/en/sales
Phone: +49 (221) 6430816-2
FAX: +49 (221) 6778932-2
sales@flexyPage.de



innovative display solutions

Support flexyPage

flexypage.de/en/support
Phone: +49 (221) 6430816-3
support@flexyPage.de