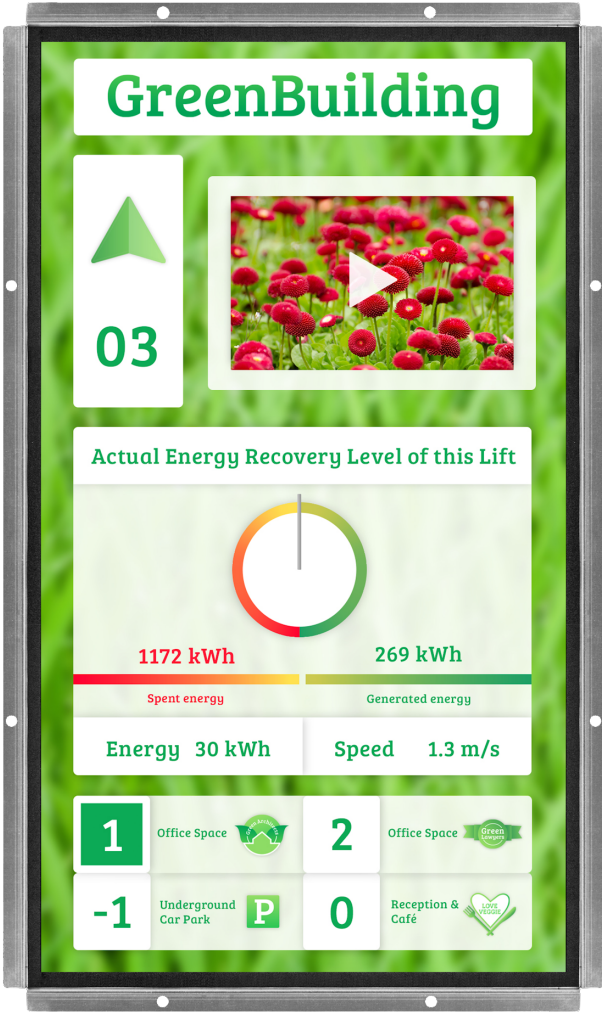


flexyPage Displays

# LT-Line 24 (60,9 cm)

Model: 2019 12V + 24V  
Mechanical Drawings



# About flexyPage documentation

This document provides an overview of possibilities of what can be realised with the flexyPage system. It constitutes only a small part of the whole documentation and is undergoing continual improvement.



The documents, images, graphics and videos, as well as hard and software are protected by copyright. It is prohibited to copy or circulate this document without prior written consent. Translations do also require a written declaration of consent. The ELFIN GmbH is sole contact regarding copies, translations and similar concerns.

This documentation is continuously revised and updated with the greatest of care. Nevertheless, errors cannot be excluded. We are pleased to hear your comments, helpful references and suggestions about this documentation. Please contact our sales department or support for that.

The ELFIN GmbH will not accept any liability for errors or any potential damage and their consequences in conjunction with delivery or usage of this document.

Please carefully read the user manuals, product data sheets, safety instructions and mounting instructions before using!

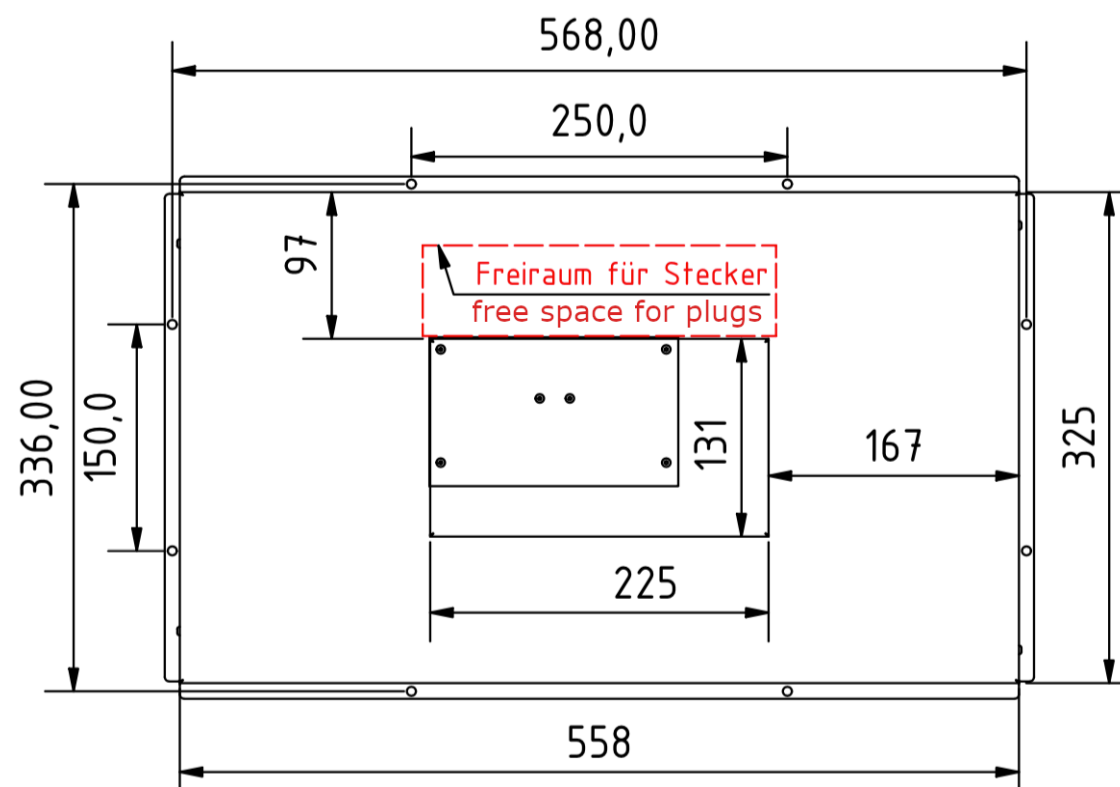
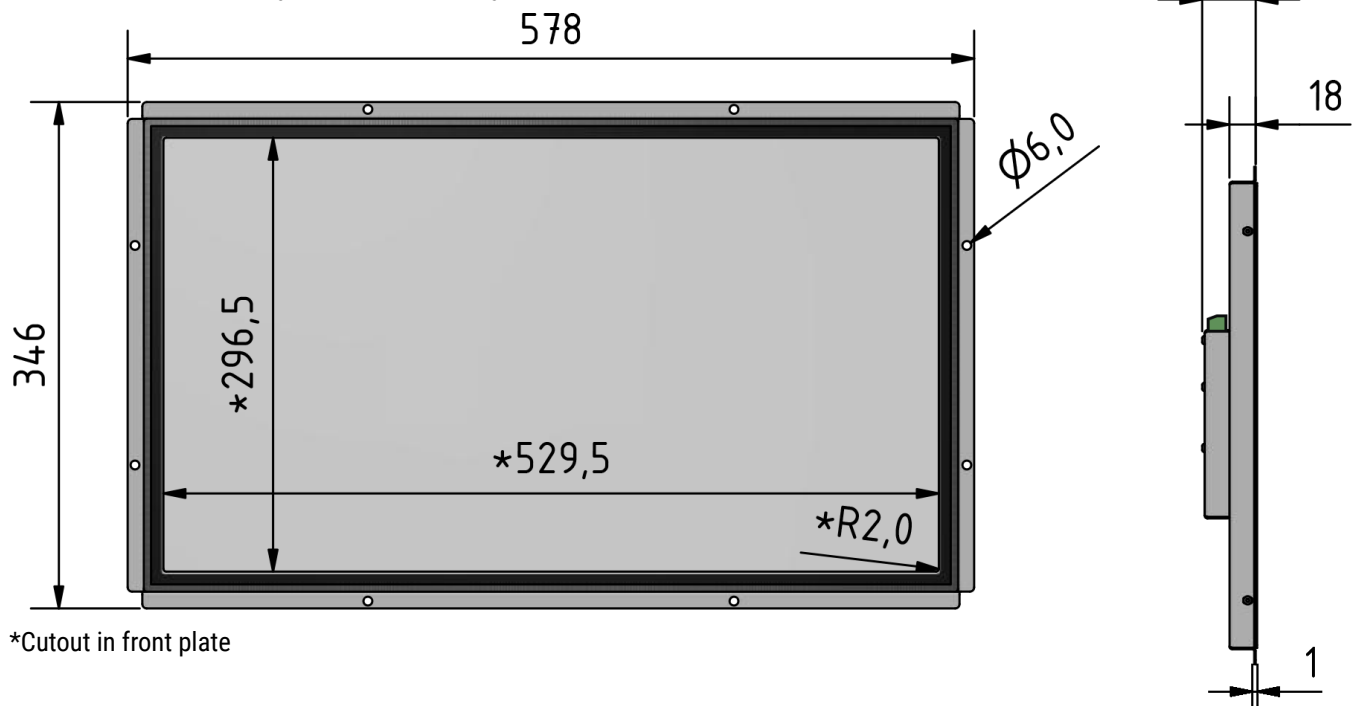


The actual user manual as well as other documents and application cases can be found at the product website:

Introduction to the flexyPage system  
Quick starting guide  
Video tutorials  
flexyPage user manual  
Widget descriptions  
Product data sheets  
Frequently asked questions  
Sales contact  
Support contact  
Manufacture homepage

[flexypage.de/en/documentation](https://flexypage.de/en/documentation)  
[flexypage.de/en/documentation](https://flexypage.de/en/documentation)  
[flexypage.de/en/tags/video-tutorials](https://flexypage.de/en/tags/video-tutorials)  
[flexypage.de/en/documentation](https://flexypage.de/en/documentation)  
[flexypage.de/en/doc/widget-descriptions](https://flexypage.de/en/doc/widget-descriptions)  
[flexypage.de/en/documentation](https://flexypage.de/en/documentation)  
[flexypage.de/en/faq](https://flexypage.de/en/faq)  
[flexypage.de/en/sales](https://flexypage.de/en/sales)  
[flexypage.de/en/support](https://flexypage.de/en/support)  
[elfin.de](https://elfin.de)

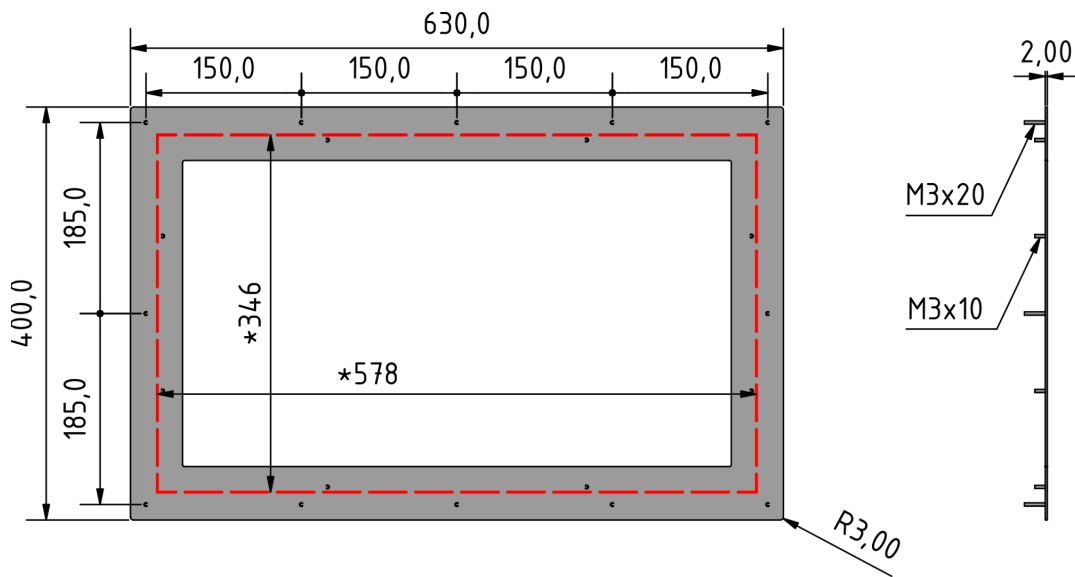
# Dimensions flexyPage display



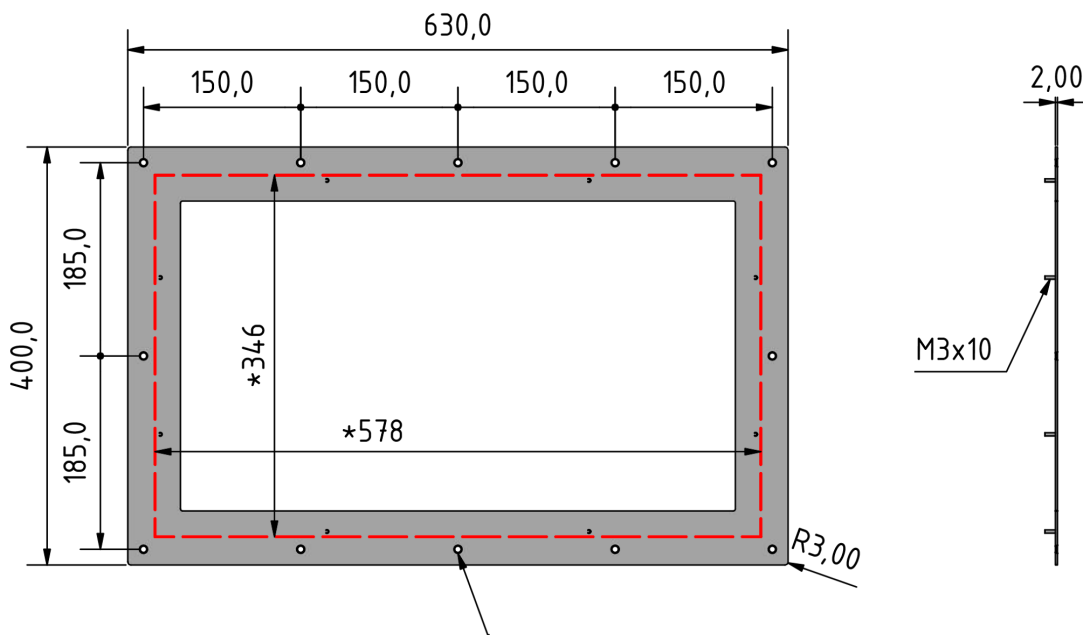
<b>Order No.:</b> fel4B-02A-240A subject to modifications	<b>Title</b> Mechanical drawing LT-Line 24 2019 open frame		
	Drawing No.: fel4x-02A-240A_MD_V1.0		
Tolerances +/- 0,5 mm	Scale:	Date: 2019-06-26	Drawn by: VScl

# Accessory parts - dimensions stainless steel frame for flexyPage display

stainless steel frame with welding studs M3 x 20 mm



stainless steel frame with countersunk holes M4



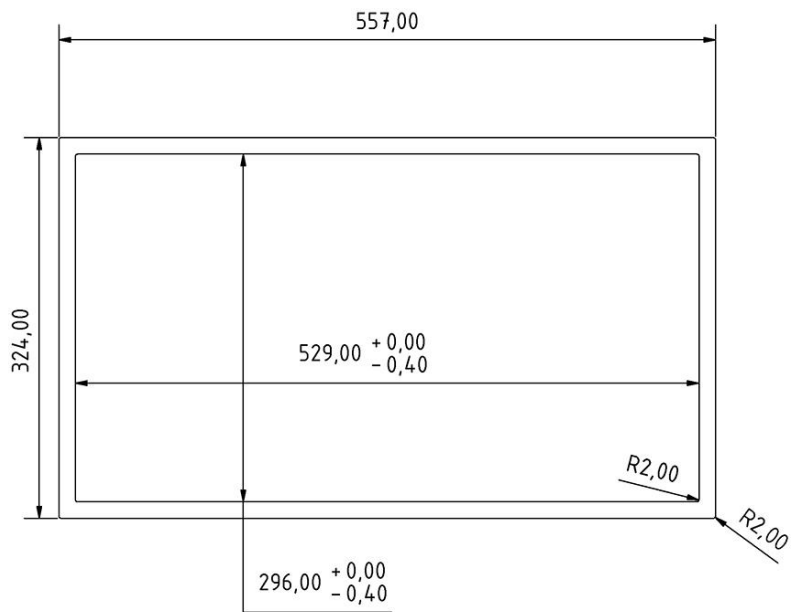
\*external dimensions display

countersunk holes M4

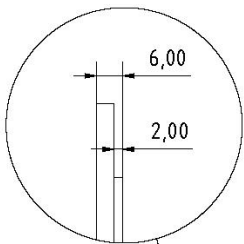
<b>Order No.:</b> welding studs: zbs1A-02A-240A-FEB countersunk holes: zbs1A-02A-240A-FES	<b>Title</b> stainless steel frame for LT-Line 24 open frame		
	<b>Drawing No.:</b> fel4x-02A-240A_stainless-steel-frame_V1.0		
subject to modifications	<b>Tolerances +/- 0,1 mm</b>	<b>Scale:</b>	<b>Date:</b> 2019-07-08
			<b>Drawn by:</b> VSch

# Accessory parts - VSG safety glass panel + acrylic glass panel for 2 mm front panel

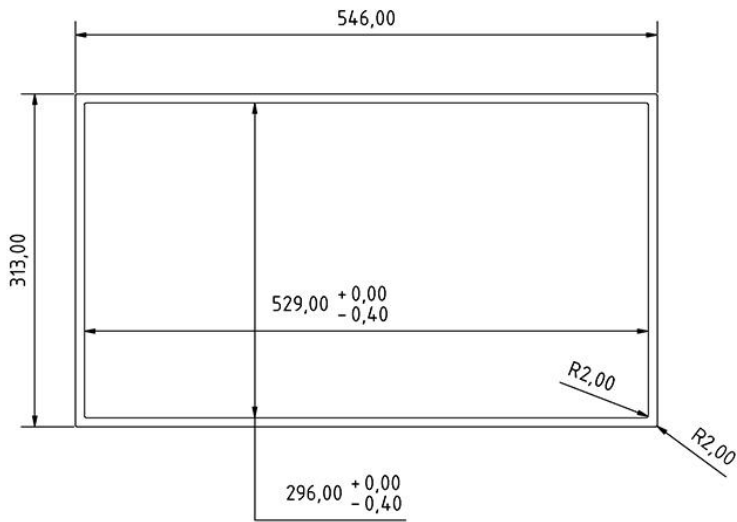
VSG safety glass



VSG safety glass  
6 mm for 2 mm front panel

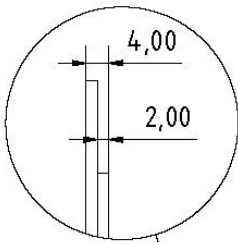


Acrylic glass



Acrylic glass

4 mm for 2 mm front panel



To protect the flexyPage displays we provide different glass panels:

Order No.	Description
zbs1A-02A-240A-SPE	acrylic glass LT-Line 24 (60,9 cm) anti-glare
zbs1A-02A-240A-SGE	VSG safety glass LT-Line 24 (60,9 cm) anti-glare

Order No.: zbs1A-02A-240A-... subject to modifications	Title cover glass LT-Line 24 open frame		
	Drawing No.: fel4x-02A-240A_cover_glass_V1.0		
Tolerances +/- 0,1 mm	Scale:	Date: 2019-06-26	Drawn by: VSc

# Document history

Version	Release Date	Changes
0.9	2018-12-29	pre version
1.0	2019-06-26	New mechanical drawings
1.1	2019-12-04	typo
1.2	2021-02-18	New glass drawings
1.3	2022-03-22	New address

## Your contact at ELFIN

Even an extensive documentation cannot answer every question. Do you still have questions or suggestions concerning our flexyPage system? We look forward to your requests! Please don't hesitate to contact us at:

### **ELFIN Technology GmbH**

Im Zollhafen 22  
50678 Cologne  
Germany  
Phone: +49 (221) 6778932-0  
FAX: +49 (221) 6778932-2  
service@elfin.de  
www.elfin.de



### **Sales flexyPage**

flexypage.de/en/sales  
Phone: +49 (221) 6430816-2  
FAX: +49 (221) 6778932-2  
sales@flexyPage.de



innovative display solutions

### **Support flexyPage**

flexypage.de/en/support  
Phone: +49 (221) 6430816-3  
support@flexyPage.de