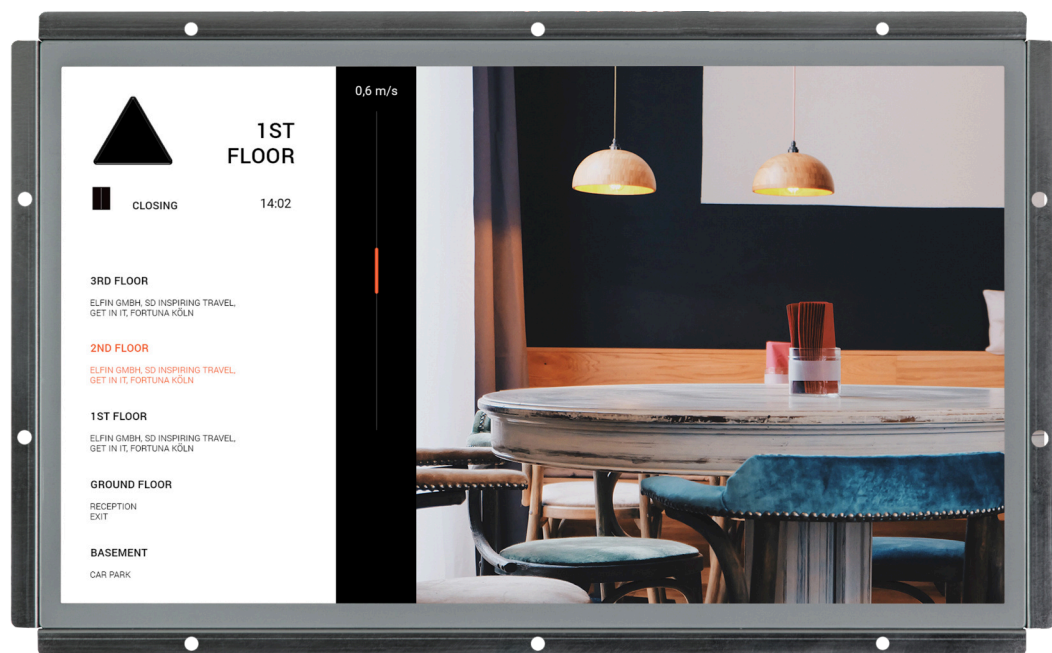


flexyPage Displays

LT-Line 21,5 (54,6 cm)

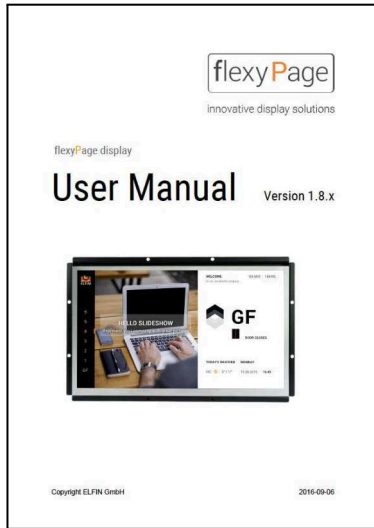
Model: 2019 24V

Mechanical Drawings



About flexyPage documentation

This document provides an overview of possibilities of what can be realised with the flexyPage system. It constitutes only a small part of the whole documentation and is undergoing continual improvement.



The documents, images, graphics and videos, as well as hard and software are protected by copyright. It is prohibited to copy or circulate this document without prior written consent. Translations do also require a written declaration of consent. The ELFIN GmbH is sole contact regarding copies, translations and similar concerns.

This documentation is continuously revised and updated with the greatest of care. Nevertheless, errors cannot be excluded. We are pleased to hear your comments, helpful references and suggestions about this documentation. Please contact our sales department or support for that.

The ELFIN GmbH will not accept any liability for errors or any potential damage and their consequences in conjunction with delivery or usage of this document.

Please carefully read the user manuals, product data sheets, safety instructions and mounting instructions before using!

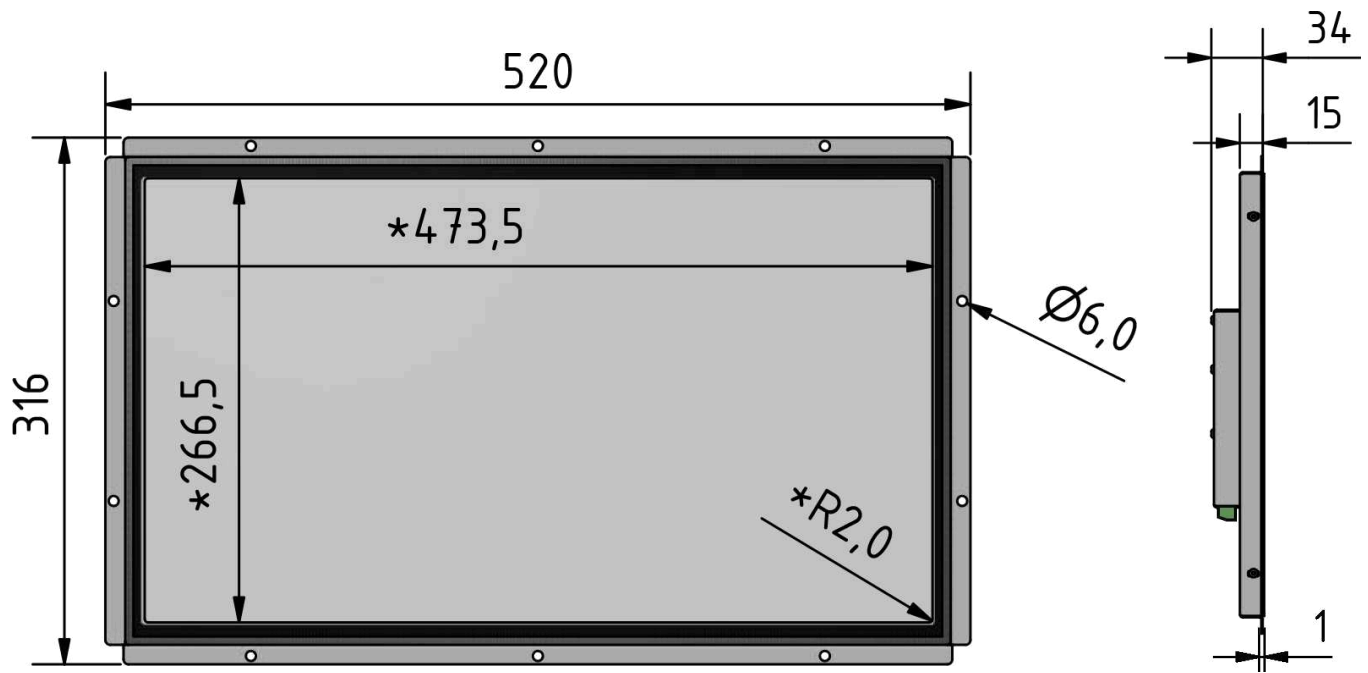


The actual user manual as well as other documents and application cases can be found at the product website:

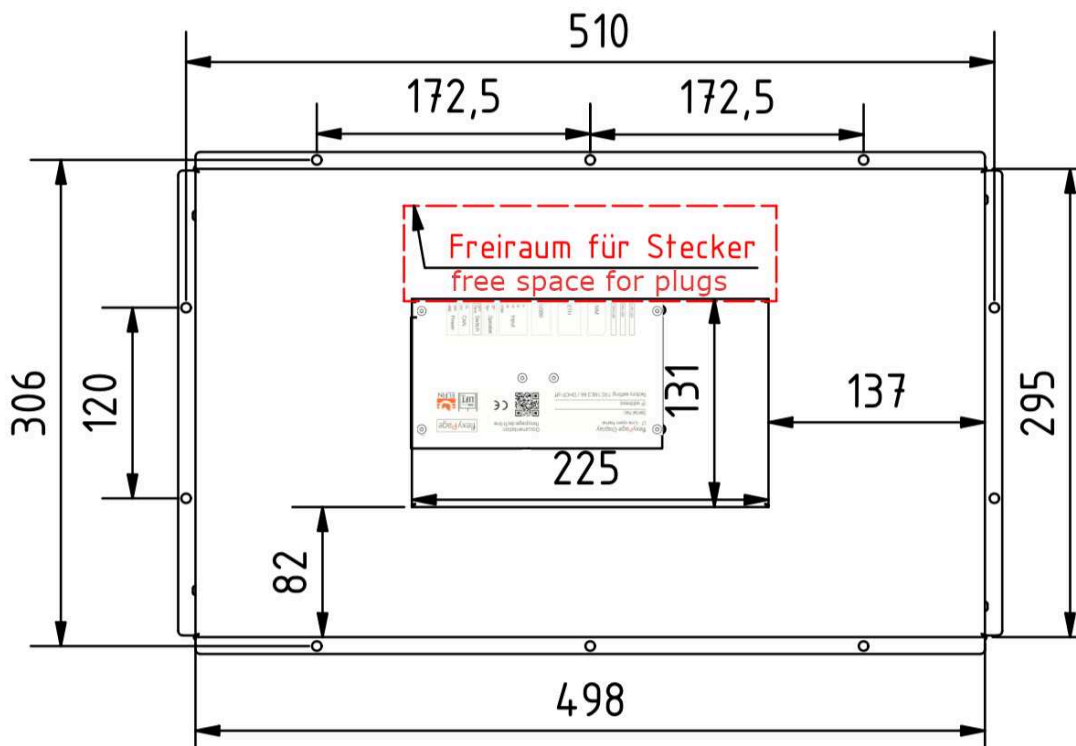
Introduction to the flexyPage system
Quick starting guide
Video tutorials
flexyPage user manual
Widget descriptions
Product data sheets
Frequently asked questions
Sales contact
Support contact
Manufacture homepage

flexypage.de/en/documentation
flexypage.de/en/documentation
flexypage.de/en/tags/video-tutorials
flexypage.de/en/documentation
flexypage.de/en/doc/widget-descriptions
flexypage.de/en/documentation
flexypage.de/en/faq
flexypage.de/en/sales
flexypage.de/en/support
elfin.de

Dimensions flexyPage display



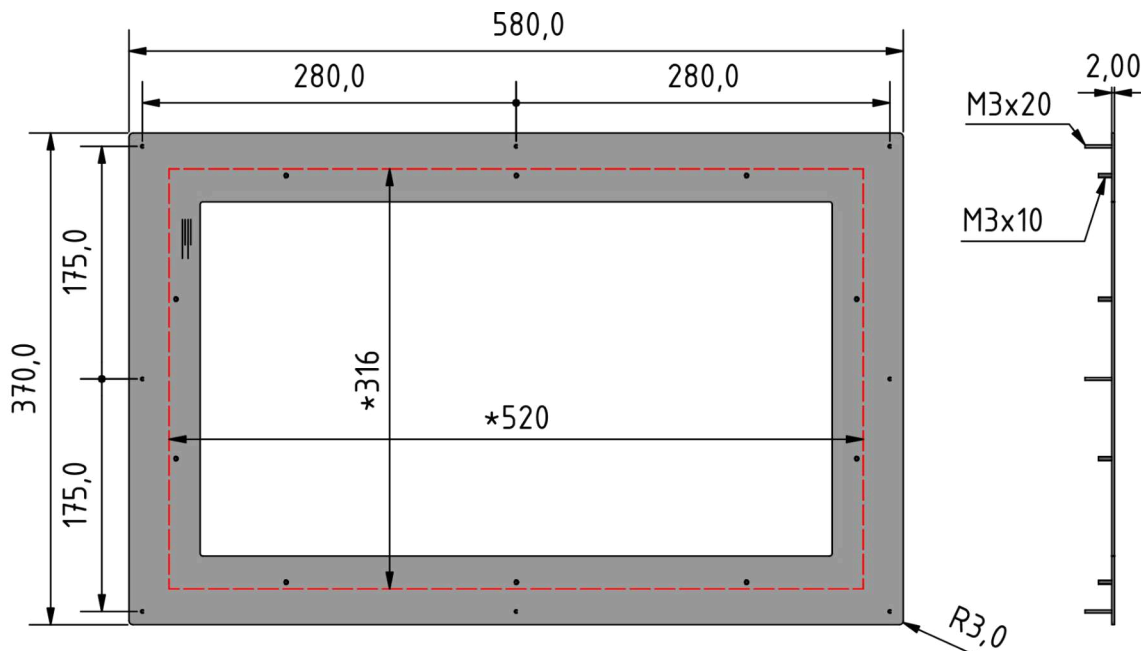
*Cutout in front plate



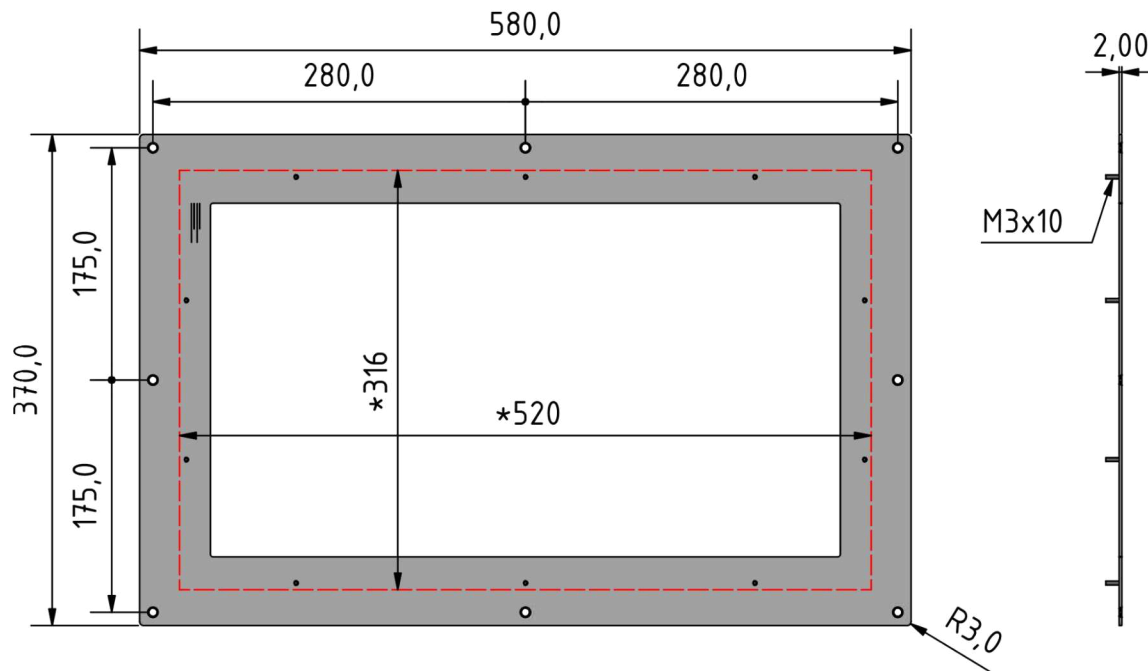
Order No.: fel4B-02A-215A subject to modifications	Title Mechanical drawing LT-Line 21,5 2019 24V open frame		
	Drawing No.: fel4x-02A-215A_MD_V1.0		
Tolerances +/- 0,5 mm	Scale:	Date: 2019-12-04	Drawn by: VSc

Accessory parts - dimensions stainless steel frame for flexyPage display

stainless steel frame with welding studs M3 x 20 mm



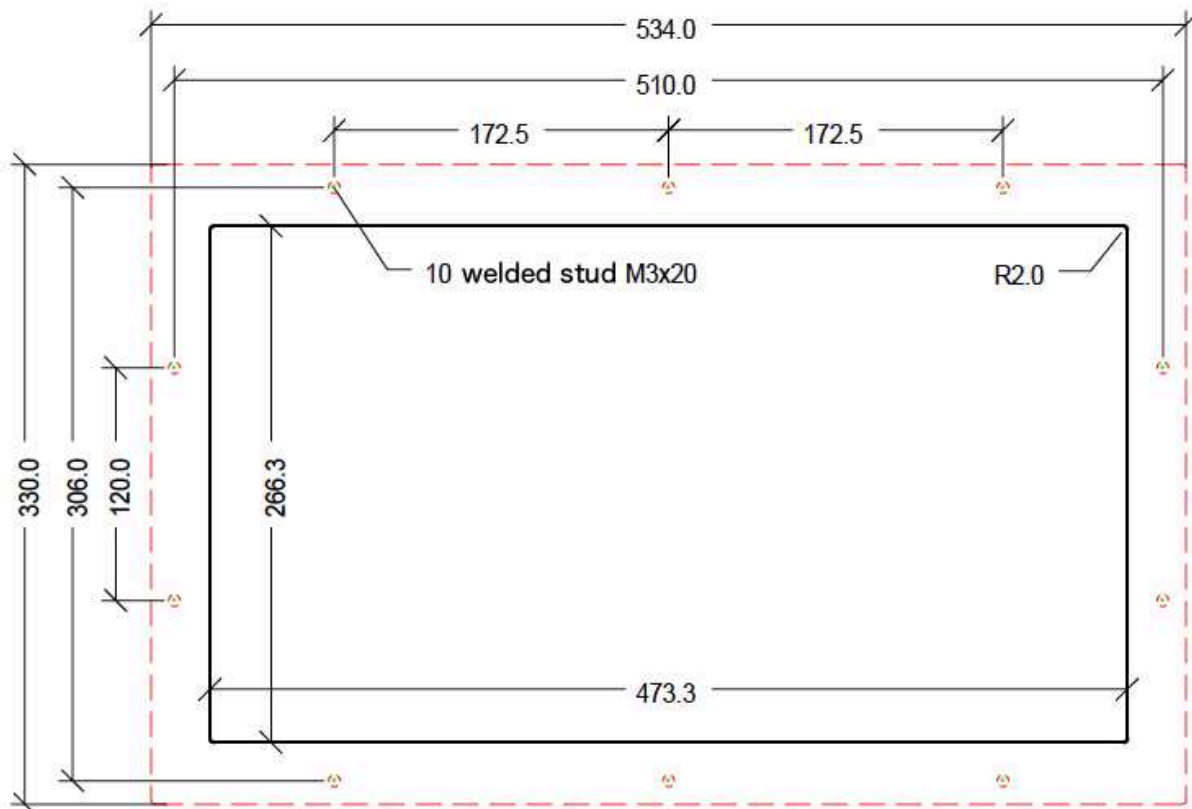
stainless steel frame with countersunk holes M4



*external dimensions display / monitor

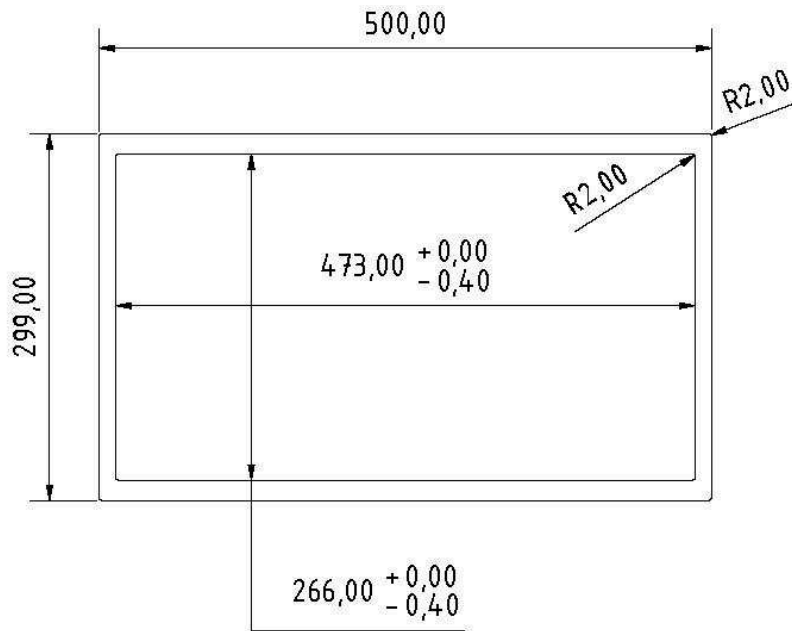
Order No.: welding studs: zbs1A-02A-215A-FEB countersunk holes: zbs1A-02A-215A-FES	Title stainless steel frame for LT-Line 21,5 open frame		
subject to modifications	Drawing No.: fel4x-02A-215A_front_panel_V1.0		
Tolerances +/- 0,1 mm	Scale:	Date: 2019-07-08	Drawn by: VSch

Cutout in front plate for glass panel



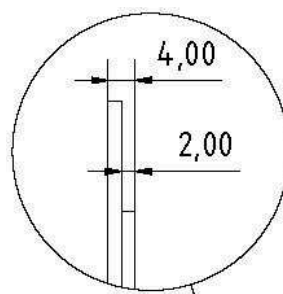
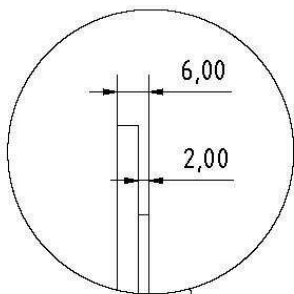
Order No.: subject to modifications	Title Cutout for cover glass LT-Line 21,5 open frame		
	Drawing No.: fel4x-02A-215A_cutout_V1.0		
Tolerances +/- 0,1 mm	Scale:	Date: 2015-05-28	Drawn by: JHell

Accessory parts - VSG safety glass panel + acrylic glass panel for 2 mm front panel



VSG safety glass
6 mm for 2 mm front panel

Acrylic glass
4 mm for 2 mm front panel



To protect the flexyPage displays we provide different glass panels:

Order No.	Description
zbs1A-02A-215A-SPE	acrylic glass LT-Line 21,5 (54,6 cm) anti-glare
zbs1A-02A-215A-SGE	VSG safety glass LT-Line 21,5 (54,6 cm) anti-glare

Order No.: zbs1A-02A-215A-... subject to modifications	Title cover glass LT-Line 21,5 open frame		
	Drawing No.: fel4x-02A-215A_cover_glass_V1.0		
Tolerances +/- 0,1 mm	Scale:	Date: 2016-10-09	Drawn by: JHell

Document history

Version	Release Date	Changes
1.0	2016-10-10	Serial version
1.1	2016-10-12	New label on product, new document structure
1.2	2016-10-16	Typo
1.3	2018-06-18	Typo
1.4	2018-02-26	New mechanical drawings
2.0	2019-12-04	Typo
2.1	2020-09-30	Company title
2.2	2021-01-18	New glass drawings
2.3	2022-03-18	New address

Your contact at ELFIN

Even an extensive documentation cannot answer every question. Do you still have questions or suggestions concerning our flexyPage system? We look forward to your requests! Please don't hesitate to contact us at:

ELFIN Technology GmbH

Zollhafen 22
50678 Cologne
Germany
Phone: +49 (221) 6778932-0
FAX: +49 (221) 6778932-2
service@elfin.de
www.elfin.de



Sales flexyPage

flexypage.de/en/sales
Phone: +49 (221) 6430816-2
FAX: +49 (221) 6778932-2
sales@flexyPage.de



innovative display solutions

Support flexyPage

flexypage.de/en/support
Phone: +49 (221) 6430816-3
support@flexyPage.de