

flexyPage Displays

DM-Line 18,5 (47 cm)

Model: 2022 24V

Mechanical Drawings



About flexyPage documentation

This document provides an overview of possibilities of what can be realised with the flexyPage system. It constitutes only a small part of the whole documentation and is undergoing continual improvement.



The documents, images, graphics and videos, as well as hard and software are protected by copyright. It is prohibited to copy or circulate this document without prior written consent. Translations do also require a written declaration of consent. The ELFIN GmbH is sole contact regarding copies, translations and similar concerns.

This documentation is continuously revised and updated with the greatest of care. Nevertheless, errors cannot be excluded. We are pleased to hear your comments, helpful references and suggestions about this documentation. Please contact our sales department or support for that.

The ELFIN GmbH will not accept any liability for errors or any potential damage and their consequences in conjunction with delivery or usage of this document.

Please carefully read the user manuals, product data sheets, safety instructions and mounting instructions before using!

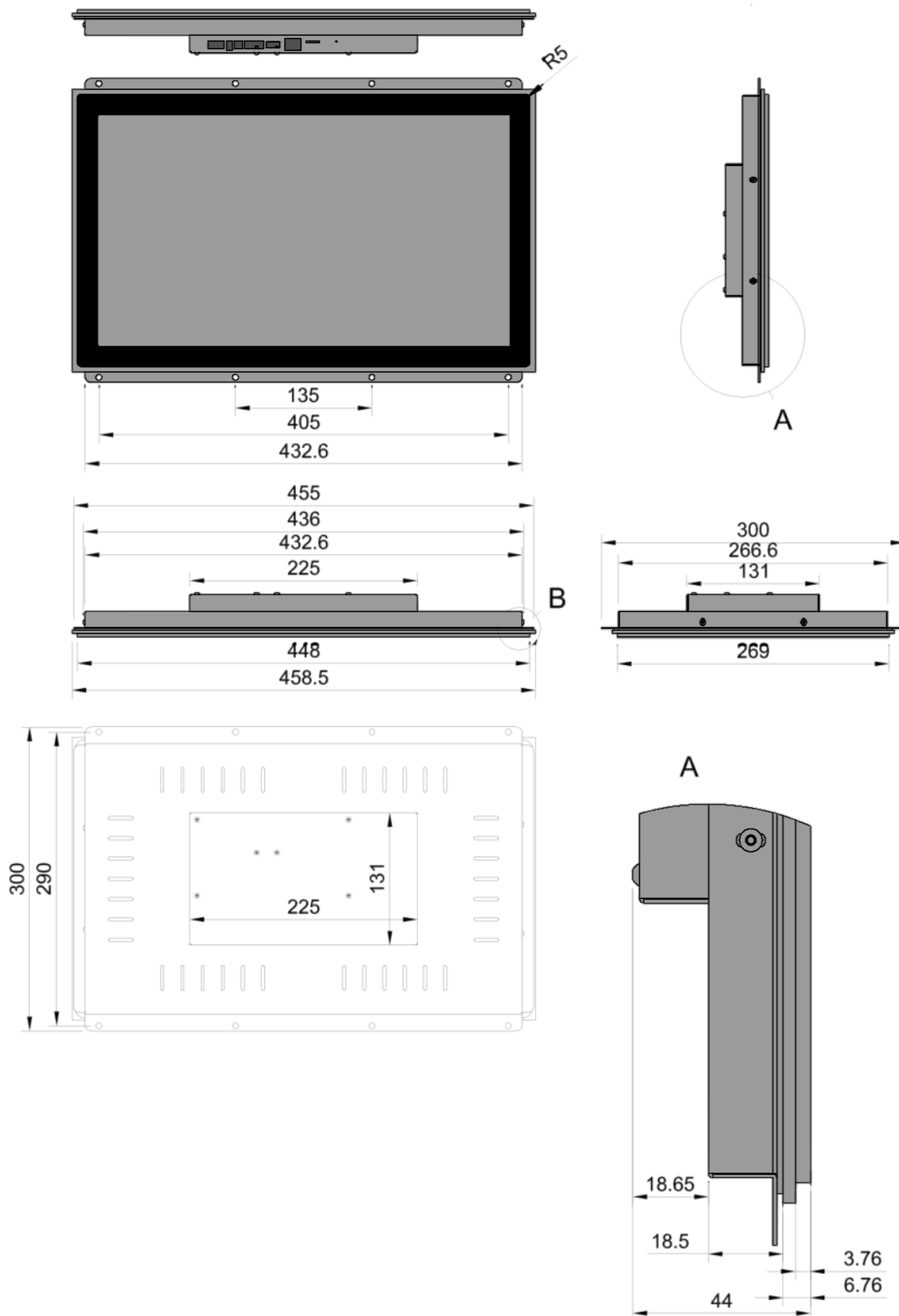


The actual user manual as well as other documents and application cases can be found at the product website:

Introduction to the flexyPage system
Quick starting guide
Video tutorials
flexyPage user manual
Widget descriptions
Product data sheets
Frequently asked questions
Sales contact
Support contact
Manufacture homepage

flexypage.de/en/documentation
flexypage.de/en/documentation
flexypage.de/en/tags/video-tutorials
flexypage.de/en/documentation
flexypage.de/en/doc/widget-descriptions
flexypage.de/en/documentation
flexypage.de/en/faq
flexypage.de/en/sales
flexypage.de/en/support
elfin.de

Dimensions flexyPage display

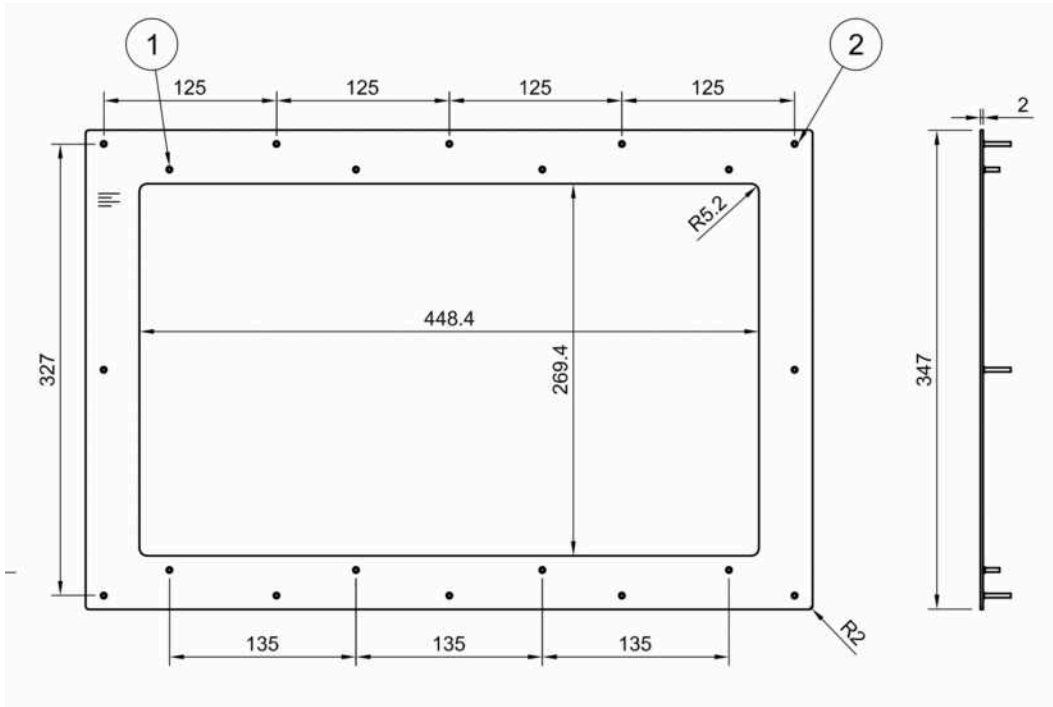


The touch sensor is designed and calibrated for use with a 6mm glass panel in front of the screen. If the display is installed behind an existing glass panel (e.g. glass tableau), the VSG glass panel shown on the drawings in this document is not needed.

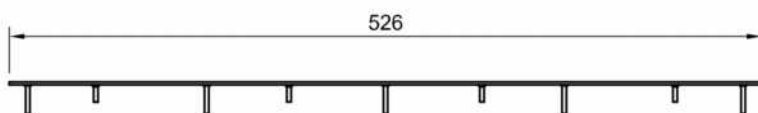
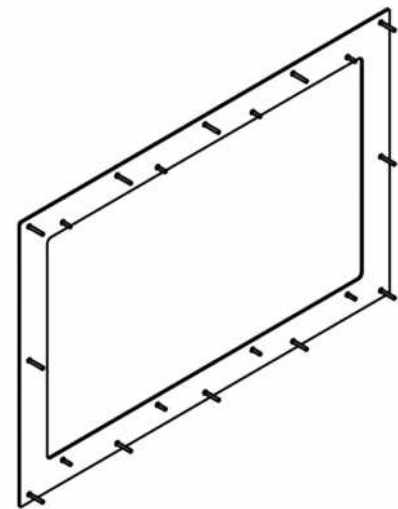
Order No.: fel4B-05A-185B (display) Zbs1A-05A-185B-SGE (VSG glas) subject to modifications	Title Mechanical Drawing DM-Line 18,5 (47 cm) open frame touch with VSG glas		
	Drawing No.: v1120220622		
Tolerances +/- 0,5 mm	Scale:	Date: 2022-10-04	Drawn by: KMali

Accessory parts - Stainless steel frame for DM-Line 18,5 (47 cm) touch

With welded stud M3 x 20 mm - mounting from the rear



Element	Number	Component number
1	8	Welded stud A2 M3x12
2	12	Welded stud A2 M3x20



Order No.: zbs1A-05A-185B-FEB subject to modifications	Title Stainless steel frame for DM-Line 18,5 (47 cm) touch with welded stud		
	Drawing No.: ELMECH01851000		
Tolerances +/- 0,1 mm	Scale:	Date: 2022-10-04	Drawn by: KMali

Document history

Version	Release Date	Changes
1.0	2022-10-04	First version

Your contact persons at ELFIN

Even an extensive documentation cannot answer every question. Do you still have questions or suggestions concerning our flexyPage system? We look forward to your requests! Please don't hesitate to contact us at:

ELFIN Technology GmbH

Im Zollhafen 22
50678 Cologne
Germany
Phone: +49 (221) 6778932-0
FAX: +49 (221) 6778932-2
service@elfin.de
www.elfin.de



Sales flexyPage

flexypage.de/en/sales
Phone: +49 (221) 6430816-2
FAX: +49 (221) 6778932-2
sales@flexyPage.de



innovative display solutions

Support flexyPage

flexypage.de/en/support
Phone: +49 (221) 6430816-3
support@flexyPage.de